

AXOR Starck
Single lever kitchen mixer 300 with swivel spout
 Surfaces: **Chrome** Article Number: **10822000**



Description

product features

- handle can be positioned on the right or left
- ComfortZone 300
- swivel range adjustable in 3 steps 110°, 150° or 360°
- normal spray
- connection dimension: DN15
- maximum flow rate at 3 bar: 16 l/min
- joystick ceramic cartridge
- connection type: G 3/8 connections
- integrated non-return valve
- suitable for continuous flow water heaters

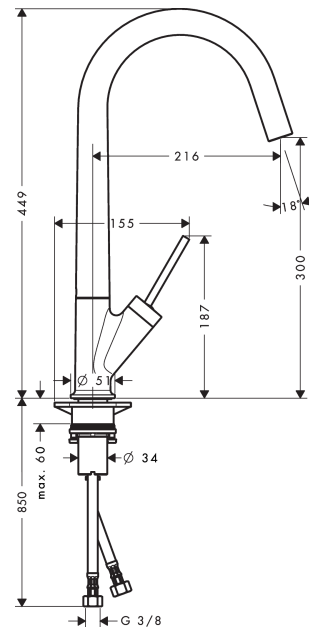
Technology



Product image



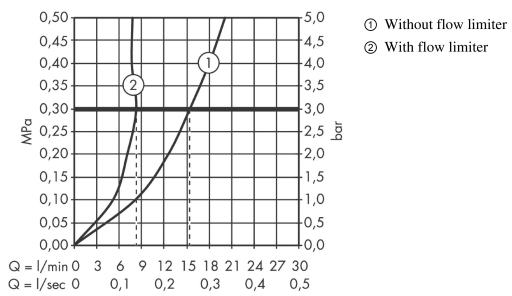
Scale drawing



AXOR Starck
Single lever kitchen mixer 300 with swivel spout
 Surfaces: **Chrome** Article Number: **10822000**



Flowchart

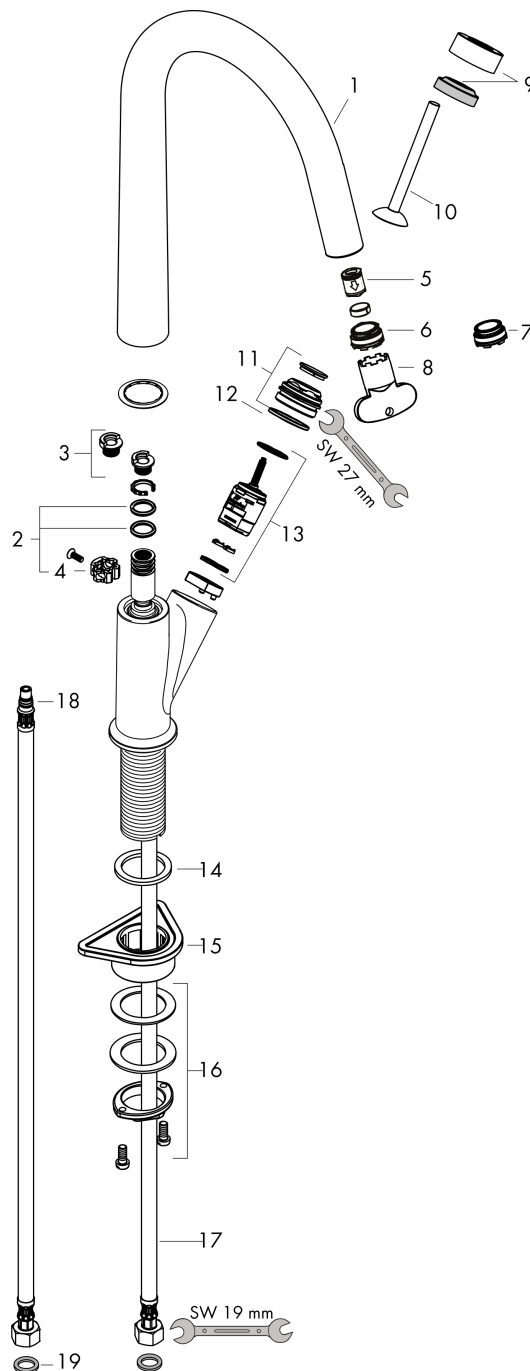


AXOR Starck
Single lever kitchen mixer 300 with swivel spout
Surfaces: **Chrome** Article Number: **10822000**



Exploded Drawing

Year of production: >05/12



AXOR Starck
Single lever kitchen mixer 300 with swivel spout
 Surfaces: **Chrome** Article Number: **10822000**



Spare part list

Year of production: >05/12

Pos.	Description	Article Number	Price	PU
1	spout cpl.	95892000	-	1
2	sealing set	92646000	-	1
3	set of locating rings (110° / 150°)	98486000	-	1
4	axialring	97558000	-	1
5	set of non return valves DW 15	94074000	-	1
6	aerator M24x1 (30 l/min)	98998000	-	1
7	aerator M24x1 (7 l/min)	95965000	-	1
8	special tool	95290000	-	1
9	flange	97155000	-	1
10	handle	95893000	-	1
11	nut	97157000	-	1
12	O-Ring 30x2	98186000	-	1
13	cartridge, assy	96339000	-	1
14	flat seal	98749000	-	1
15	support	97523000	-	1
16	fixing set (Ø 34)	95049000	-	1
17	connection hose 900 mm M8x0,75 G3/8	98758000	-	1
18	O-ring 7x1,5	98422000	-	1
19	sealing set	95581000	-	1
a	set of locating rings (60° / 80°)	92259000	-	1
b	service tool for disassembling the handle	92124000	-	1